



# Keyfree Connected Smart Lock Installation Manual

---



Please read the instructions before fitting and using the Keyfree Connected lock.

Due to a continuous programme of development the company reserves the right to make alterations without notice.

Version No. 1A

**ASSA ABLOY**

An ASSA ABLOY Group brand

**The smarter way to protect your home.**

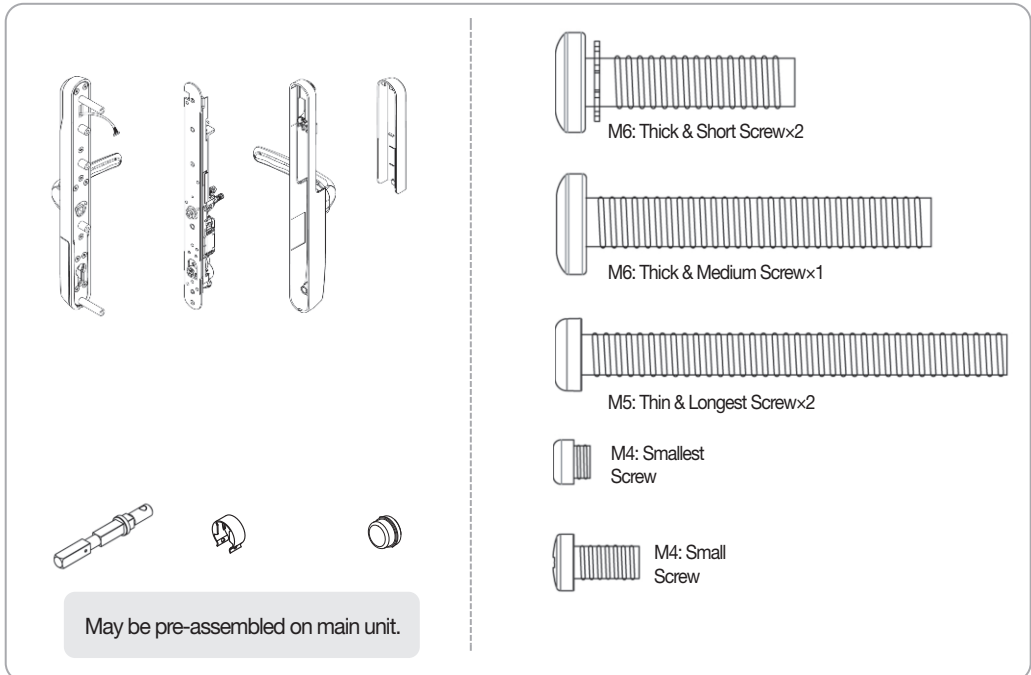
# Contents

1. Inside the Box .....	1
2. Multipoint Locking Compatibility .....	2
3. Fixing the Cylinder	
4. Fitting The Spindle	
5. Fitting The Handing Screw	
6. Installation .....	3
7. Check Points after Installation .....	5
8. Electronically Handing the Lock	
9. Troubleshooting	
10. Quick Reference .....	6



## 1. Inside the Box

Fit the Yale Keyfree Connected Smart Lock using a cross head screw driver to avoid cross threading the fixing screws. If using a cordless screwdriver, please ensure it is set to low speed & torque.



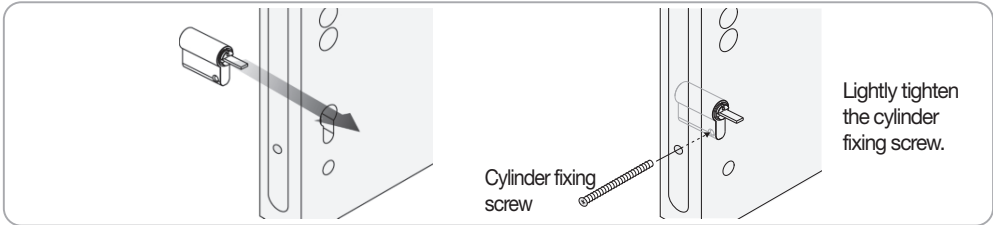
## 2. Multipoint Locking Compatibility

The keyfree handle set is only compatible with the following multipoint locks:

- Yale YS170 Range
- Yale Lockmaster Range
- Yale Doormaster™ Range

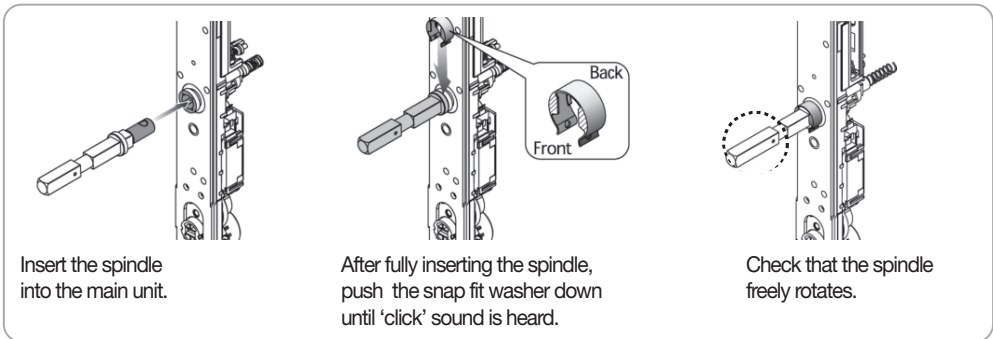
If you do not have any of the above multipoint locks the Yale Doormaster™ Range is designed to replace most PVCu door locks. For more information please go to [www.yale.co.uk](http://www.yale.co.uk)

## 3. Fixing the Cylinder



## 4. Fitting the Spindle

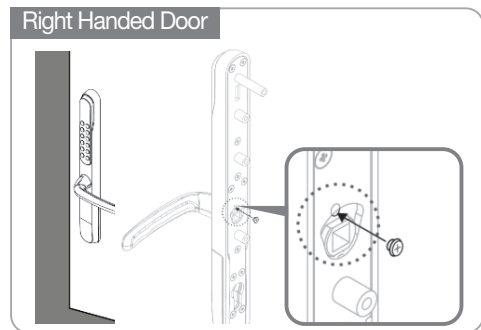
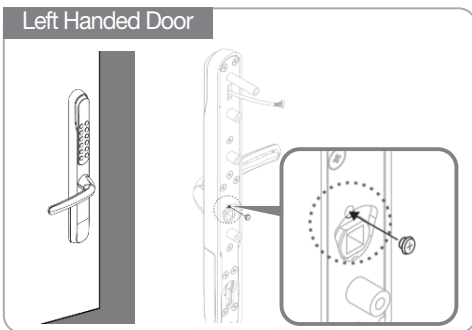
If the main unit includes the spindle already, please skip this step.



## 5. Fitting the Handing Screw

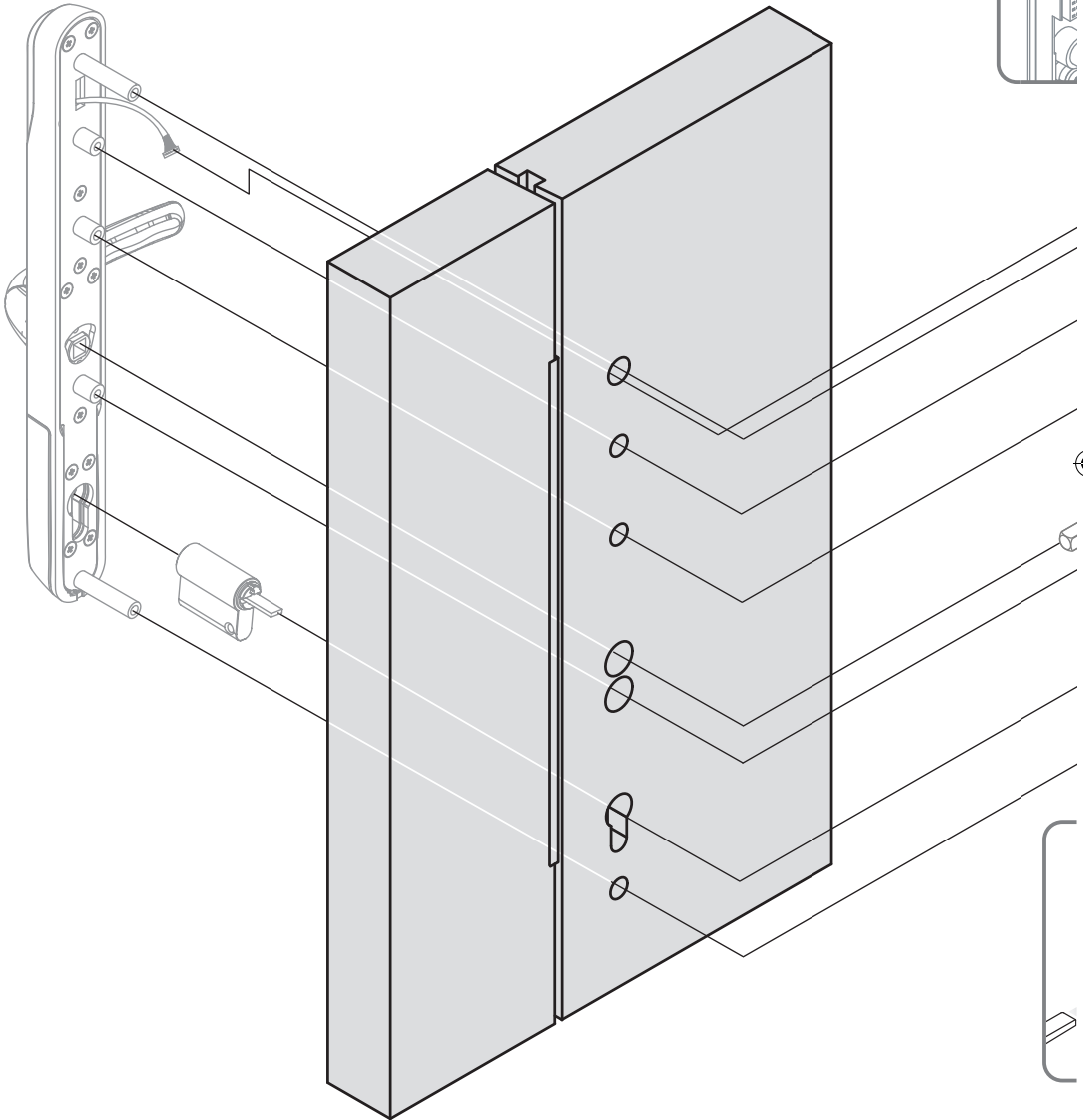
Before fitting Keyfree Connected, the handing screw must be fitted. Failure to do so will allow the outside lever to rotate 360°.

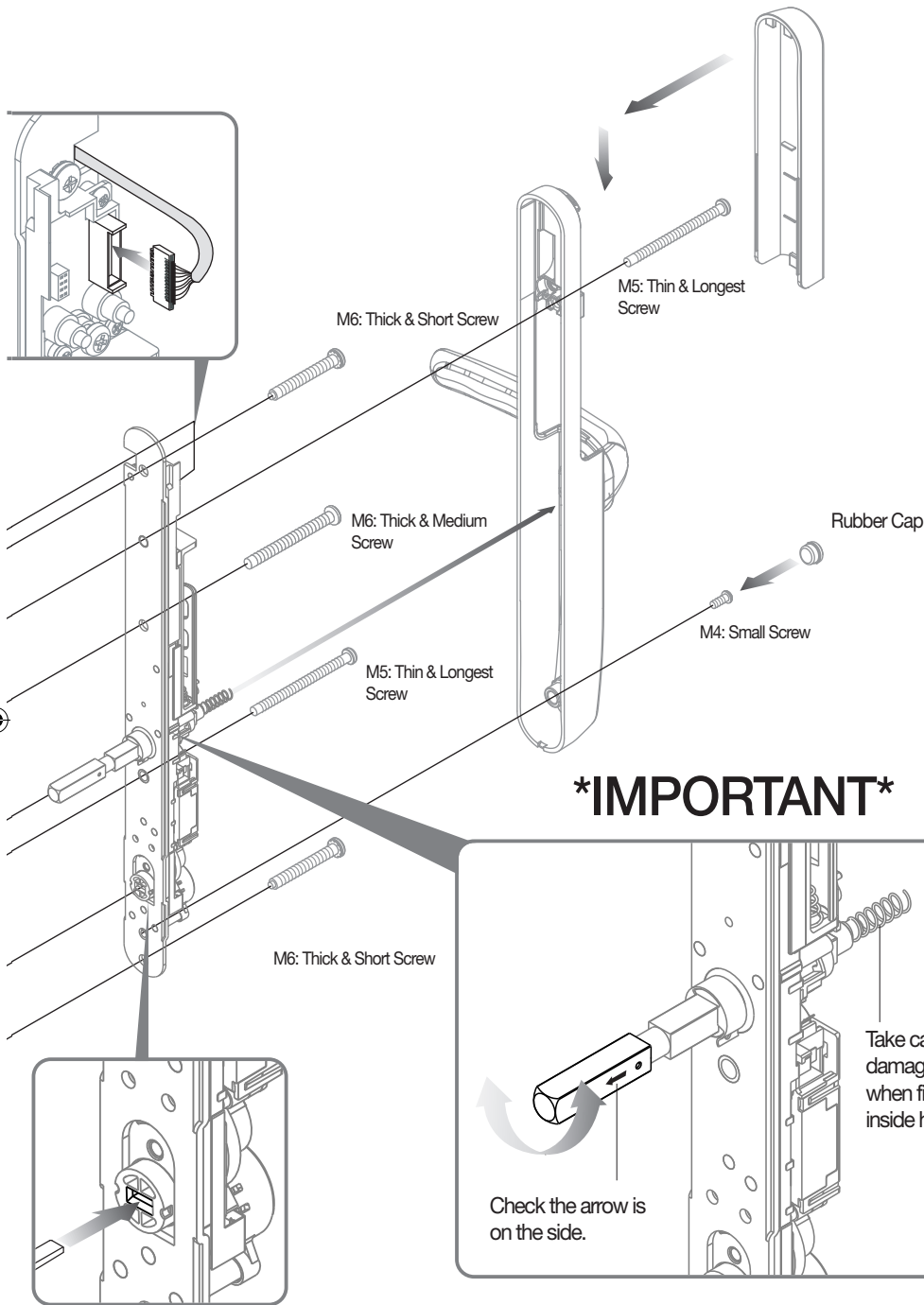
Only use the handing screw provided which is attached to the underside of the outside lever in a bag with a yellow warning label.



## 6. Installation

**⚠** To avoid any possibility of being locked out, do not close the door until a PIN code or a fob has been successfully registered and tested to be working.





## 7. Check Points after Installation

- Insert Remote Module (Optional)
- Insert Batteries



Take care inserting the Remote module (optional). The pins can easily bend and may not be replaced under warranty



## 8. Electronically Handing the Lock

Please follow the procedure below to set the handing of the lock. Failure to do this can leave the lock reporting it is locked when it is open and that it is unlocked when it is locked.

Step	Icon	Expected Feedback	Description
Press any button			Press any button on keypad to begin
Enter master code followed by # key		2 tone beep	If the master code has not been setup the default PIN is 123456
Open the internal cover and press the [P] button			The [P] button is above the batteries on the back body
On the front body keypad press the [#] key			This will put the lock into handing mode
Push the internal handle down			
Lift the internal handle up			
Press the [I] button, then replace the internal cover			This will complete the lock handing.

- **Check The Mechanical Back Up Key Works Properly**
  - Turn key 90 degrees.
  - Press outside lever down & open door.
  - Remove key
- **Check the free movement of both inside & outside levers**
  - Check the operation of the inside safety / security button handle. The inside lever must not move unless the button is depressed. When the inside lever returns to horizontal, the button must re-engage to prevent use. If the button does not re-engage, please slightly lift up the inside lever to re-engage.

## 9. Troubleshooting

- If you have experienced any problems while installing the Yale Keyfree Connected Smart Lock, or it is not behaving as expected, please go to the following address on the Yale website or call the Keyfree helpline:
- **www.yale.co.uk/smart-living**  
**Tel: 01902 364606 Monday - Friday 8.30am - 5.30pm**  
**Email: info@yale.co.uk**

## 10. Quick Reference

- **Change Your Master Code**

Please see page 8 in the user manual.

---

- **Registering Your Remote Fobs (Optional)**

Please see page 14 in the user manual.

---

- **Connecting to a Home Automation System**

Please see page 19 in the user manual.

---

- **Opening and Locking Your Door**

Please see page 11 in the user manual.



ASSA ABLOY

An ASSA ABLOY Group brand

The smarter way to protect your home.