

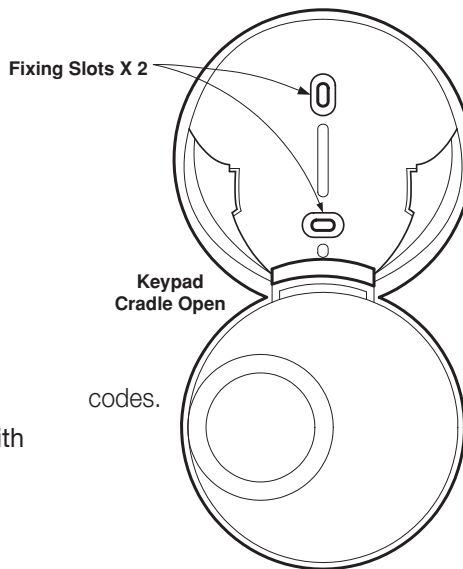
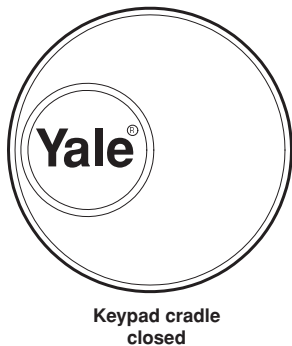
**Yale**<sup>®</sup>

The world's favorite lock

**HSA6000 series**

# Wirefree Yale HSA6080 Remote keypad

(Yale part number: 666080001001)



## Pack contents

- 1 x HSA6080 Remote keypad with separate cradle.
- 2 x wall plugs.
- 2 x 2.3mm x 6mm fixing screws.
- 2 x 3.5mm x 15mm wall plugs.

## Keypad description

**Cradle:** The keypad can be operated either in the cradle or be handheld. The cradle has an attractive flip down lid concealing the keypad. When the lid is flipped down the keypad is easily detached by sliding upwards and out for convenience. Cradle fixing slots: Used for cradle wall mounting.

**LED Indicator:** Displays keypad status.

**Numeric Keys:** Used for entering user

**Arm Key:** Press for Away Arming.

**Panic Keys A and B:** Press both for Panic alarm.

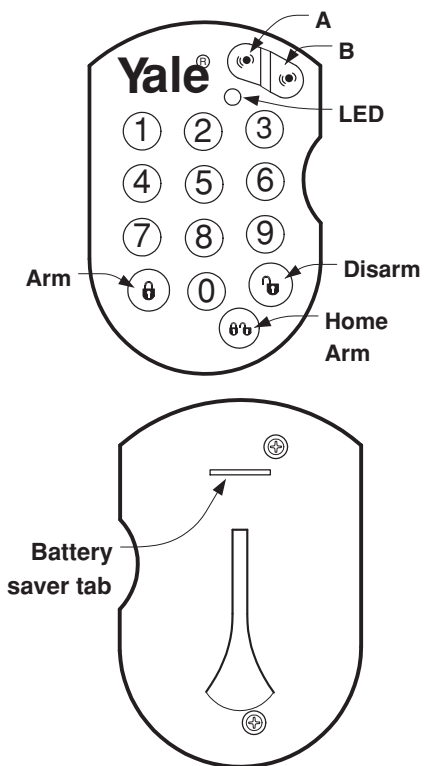
**Home Arm Key:** Press to partially arm.

**Disarm Key:** Used with user code to switch system off or to silence alarm.

**Battery saver tab:** Remove to activate keypad battery supply.

**Cradle guide:** Locates keypad in cradle.

**Case Screws:** Provides access to keypad for battery replacement.



## Specification Conforms to:

EN 300 220-1 / V2.1.1 (2006-04)  
 EN 301 489 -1, / V1.6.1 (2004-12)  
 EN 301 489-3, / V 1.4.1 (2002-08)

## Environmental conditions:

-10°C to 40°C, relative humidity  
 70% non-condensing

**Radio:** Microcontroller controlled  
 433.92MHz AM transmitter.

**Battery:** 3V, CR2032 lithium  
 coin cell. 3 years typical domestic  
 service life

## Programming & testing

Program your Keypad before  
 installation and test afterwards.  
 Please see your current system  
 instruction book.

## Location

Locate the keypad taking into account  
 the following points:

- Accessible when entering
- Not visible from outside
- Protected by another device
- Chest height for ease of use
- Not outdoors

## Mounting

1 Open cradle to reveal mounting slots  
 2 Using the slots as a template, drill  
 holes in the surface and insert wall  
 plugs if fixing into plaster or brick.  
 Screw the cradle to the wall. 3 Slide  
 keypad into cradle.



### Yale UK

School Street, Willenhall  
 West Midlands WV13 3PW  
 Tel +44 (0)1902 364647  
 Fax +44 (0)1902 364692  
 E-mail [info@yale.co.uk](mailto:info@yale.co.uk)  
[www.yale.co.uk](http://www.yale.co.uk)



NoPb



E1 12/06

**ASSA ABLOY**